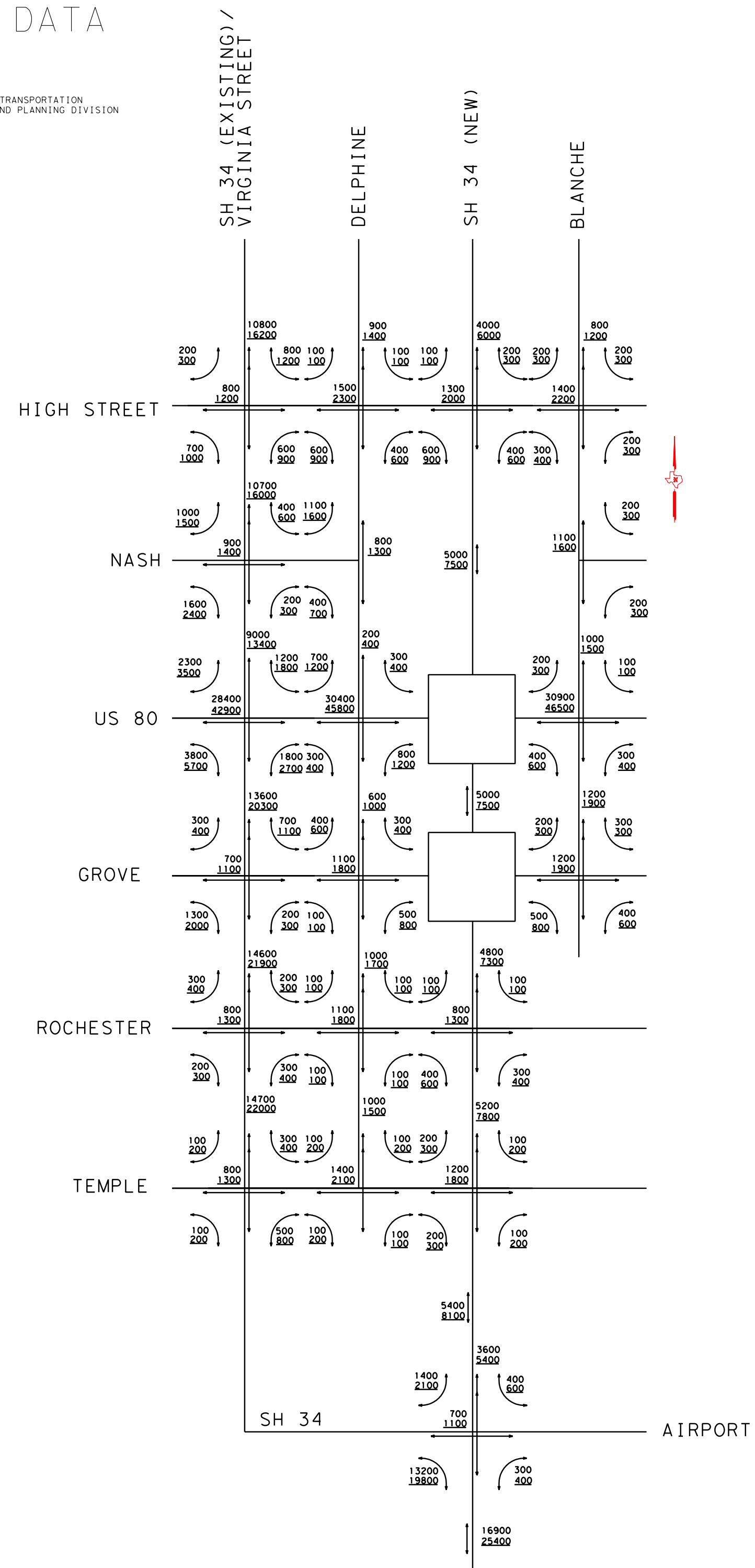


SH 34 TRAFFIC DIAGRAM

TRAFFIC DATA

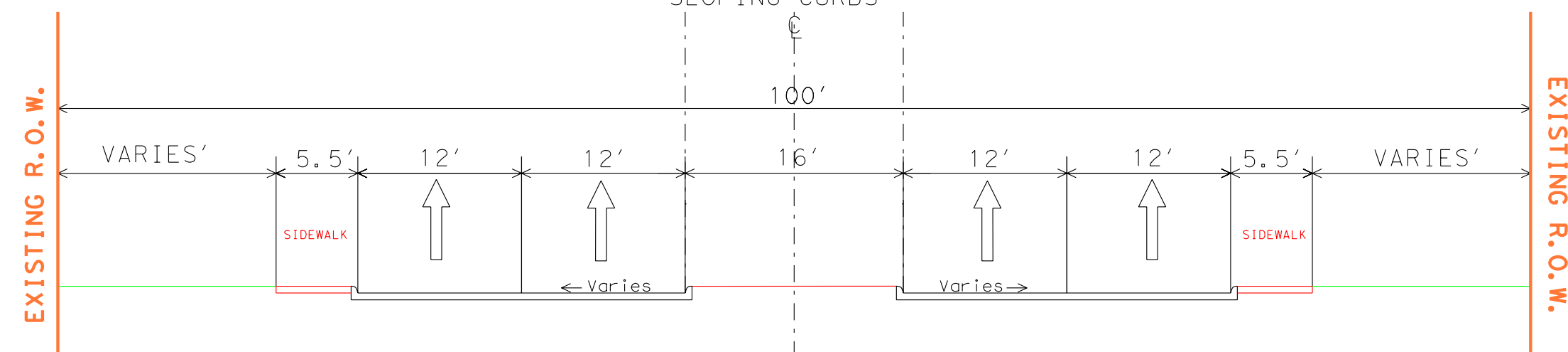
2008 ADT
2028 ADT

SOURCE: TEXAS DEPARTMENT OF TRANSPORTATION
TRANSPORTATION, PROGRAMMING AND PLANNING DIVISION
MEMORANDUM, DECEMBER 10, 2003



EXISTING SH34 AND AIRPORT ROAD

STA. 2+00.00 TO 13+35.31
SLOPING CURBS

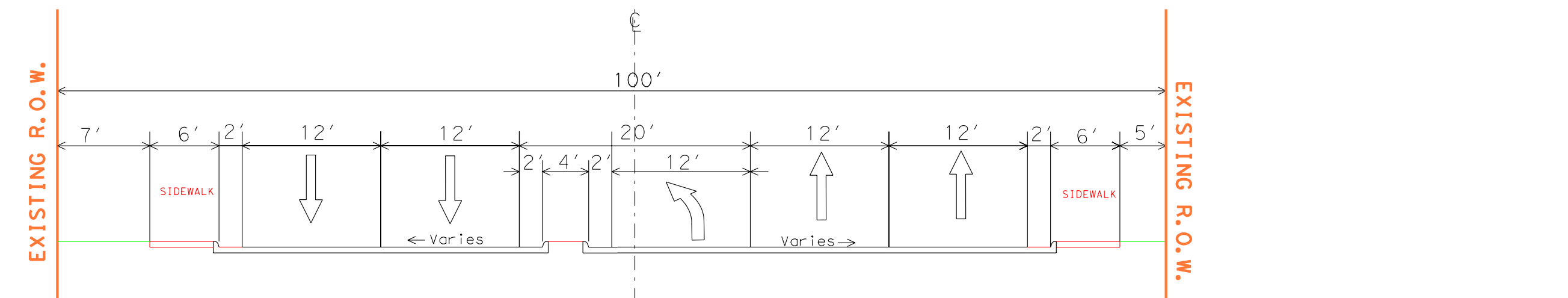


TYPICAL SECTIONS

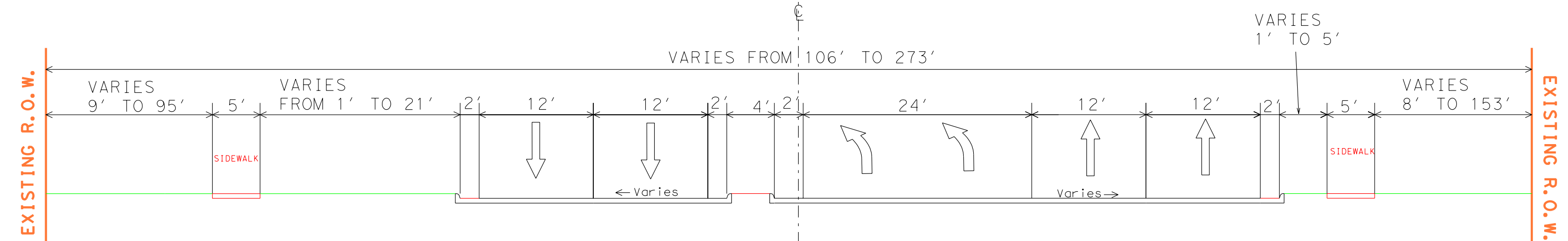
(NOT TO SCALE)

SH 34

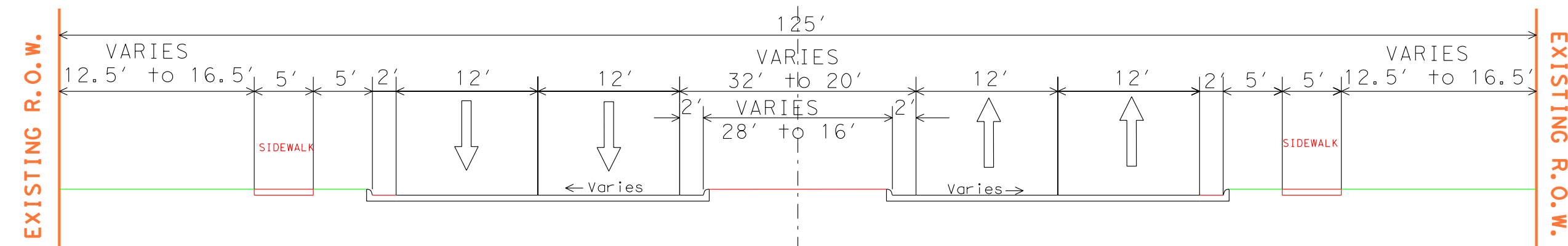
STA. 0+00.00 TO 1+28.00
SLOPING CURBS



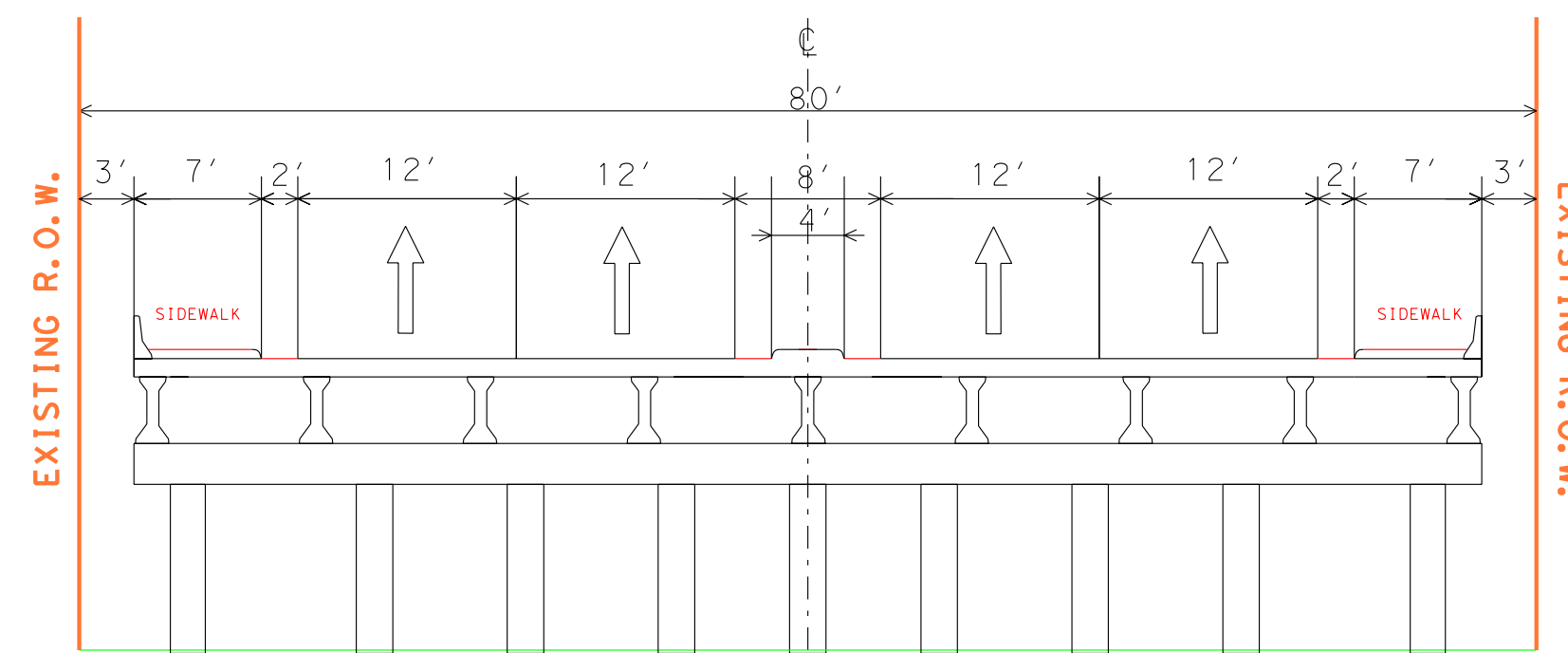
STA. 1+28.00 TO 13+00.00
SLOPING CURBS



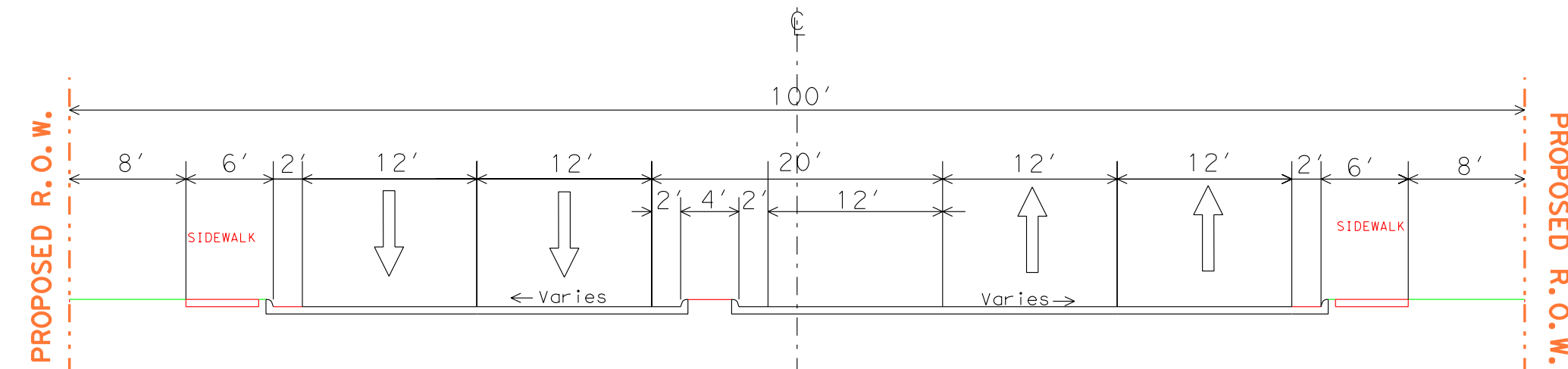
STA. 13+00.00 TO 35+00.00
SLOPING CURBS



STA. 35+00 TO 49+00
SLOPING CURBS



STA. 49+00.00 TO 52+00.00
SLOPING CURBS



Texas Department of Transportation			
© 2004			
FED. RD. DIV. NO.	AID PROJECT NO.	SHEET NO.	
6		2	
STATE	DIST.	COUNTY	
TEXAS	18	KAUFMAN	
CONT.	SECT.	JOB	HIGHWAY NO.
Q173	Q4	_025_	_SH_34_